




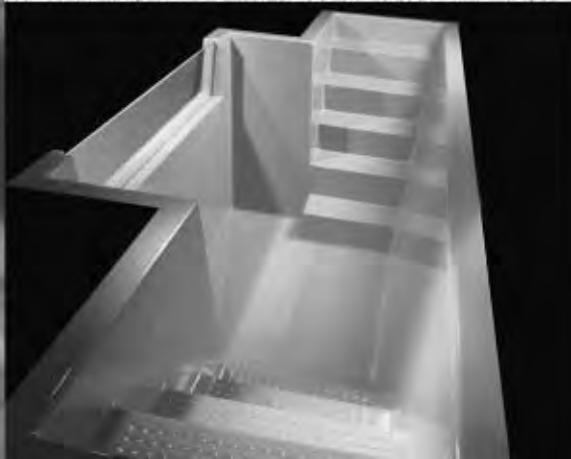
**Product Guide**  
**2007**

*Manufacturers*  
*of Quality*  
*Architectural*  
*Fiberglass*  
*Products*

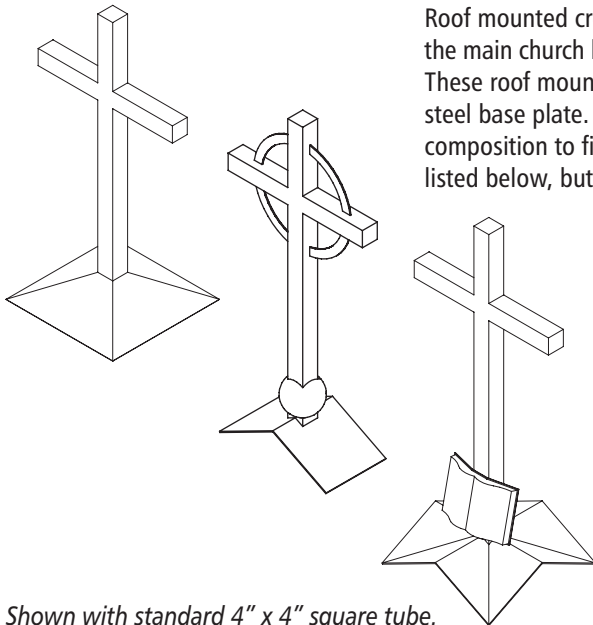


**FIBERGLASS  
SPECIALTIES  
INCORPORATED**

[www.fsiweb.com](http://www.fsiweb.com)



## Roof Mounted Crosses



Shown with standard 4" x 4" square tube.  
Other sizes also available.

Roof mounted crosses are an easy way to accessorize your church. They can be mounted on the main church building or an adjacent facility such as Sunday School or Conference Center. These roof mounted crosses are manufactured from high quality structural aluminum with a steel base plate. The aluminum is then coated with a polymer resin similar in chemical composition to fiberglass gel coat. They are lightweight and easy to install. Standard colors listed below, but custom colors are available at an additional charge.

| Model | Height | Width | Weight  |
|-------|--------|-------|---------|
| RM36  | 36"    | 22"   | 65 lbs. |
| RM48  | 48"    | 30"   | 75 lbs. |
| RM60  | 60"    | 36"   | 85 lbs. |
| RM72  | 72"    | 41"   | 95 lbs. |

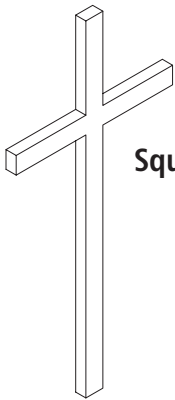
Price does not include freight charges. Consult factory for freight adders.

### Options:

|    |                              |
|----|------------------------------|
| BL | Ball (sized to cross)        |
| BB | Bible                        |
| LP | Lightning Package            |
| CD | Celtic Design                |
| HP | Hip Roof Mount               |
| CC | Custom Color (paint applied) |

Standard Colors: White, Bone, Metallic Copper, Metallic Gold, Metallic Silver, Bronze  
Roof Mounted Crosses up to 24' Available - Consult Factory

## Fiberglass Wall Crosses



### Square Body Style

| Model | Height | Width | Weight  |
|-------|--------|-------|---------|
| SC-4  | 4'     | 30"   | 30 lbs. |
| SC-6  | 6'     | 41"   | 40 lbs. |
| SC-8  | 8'     | 47"   | 50 lbs. |
| SC-10 | 10'    | 60"   | 60 lbs. |
| SC-12 | 12'    | 69"   | 75 lbs. |

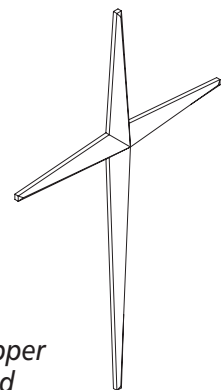
### Backlighting Kits

**Filament Cord Backlights:** Encased in tubing with an impact strength of 220 lbs. per square inch, our Filament Cord Backlights illuminate a full 5.5 watts per foot. That's over 140 watts of pure light for an 8' cross. With an average rated life of 25,000 hours (8-1/2 years at 8 hours per day) these UL Listed backlights are easy to replace should they ever burn out.

These beautifully crafted crosses provide a focal point that will enhance virtually any place of worship. Designed for interior or exterior use, they are available with 2 optional backlighting systems, creating a soft, warm glow that silhouettes the cross against the wall behind it. Mounting brackets are included for easy installation using simple hand tools.

### Tapered Body Style

| Model | Height | Width | Weight   |
|-------|--------|-------|----------|
| TC-4  | 4'     | 2'6"  | 30 lbs.  |
| TC-6  | 6'     | 4'1"  | 40 lbs.  |
| TC-8  | 8'     | 5'0"  | 50 lbs.  |
| TC-10 | 10'    | 6'4"  | 60 lbs.  |
| TC-12 | 12'    | 7'6"  | 75 lbs.  |
| TC-18 | 18'    | 6'10" | 125 lbs. |



### Available in six colors...

- White
- Bone
- Bronze
- Metallic Copper
- Metallic Gold
- Metallic Silver