

Eisenhour Church Furnishings

1137 Cleveland Rd. E. • P.O. Box 489 • Huron, OH 44839
1-800-686-0587 or 419-433-8071 • FAX 419-433-7559

PEW KNEELER MEASUREMENT SHEET

Please provide the following information when requesting a quotation for Pew Kneelers:

- ① Provide opening size in inches.

Opening: _____"

- ② Provide distance from floor to bottom of Pew at Back.

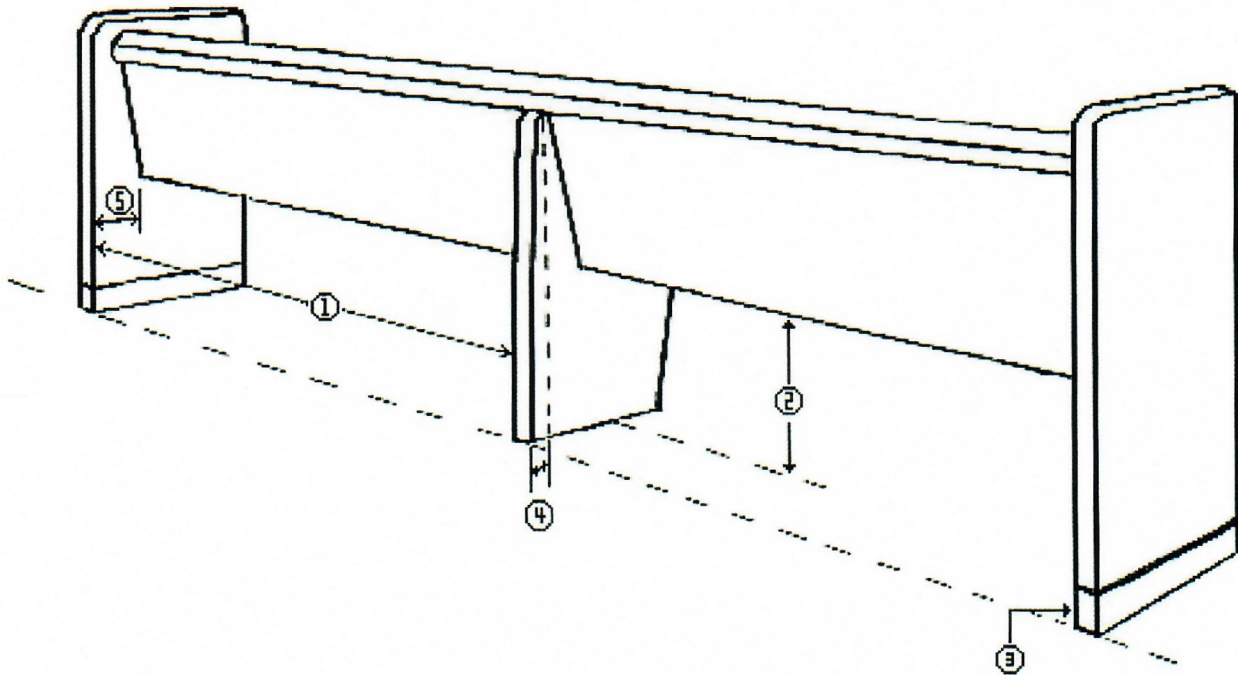
Distance: _____"

- ③ Is the Base of the Pew End flush inside or is it wider than the body?

Flush

Wider by _____"

Height of Base: _____"



- ④ Are the Supports set in further than the Pew Ends?

Not set in

Set in by _____"

- ⑤ Provide distance from edge of Pew End to point of inter section of the Pew Seat and Back. Distance: _____"

_____"

- ⑥ Please send photographs of Pew Supports and Ends, if possible, to confirm above information.

