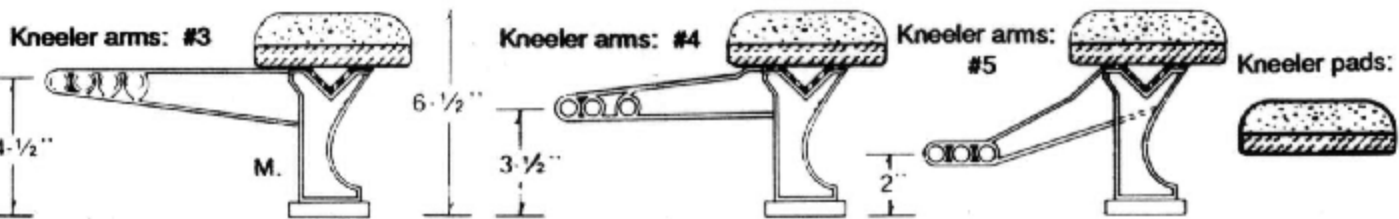


ARMS, LEGS AND REPLACEMENT PADS



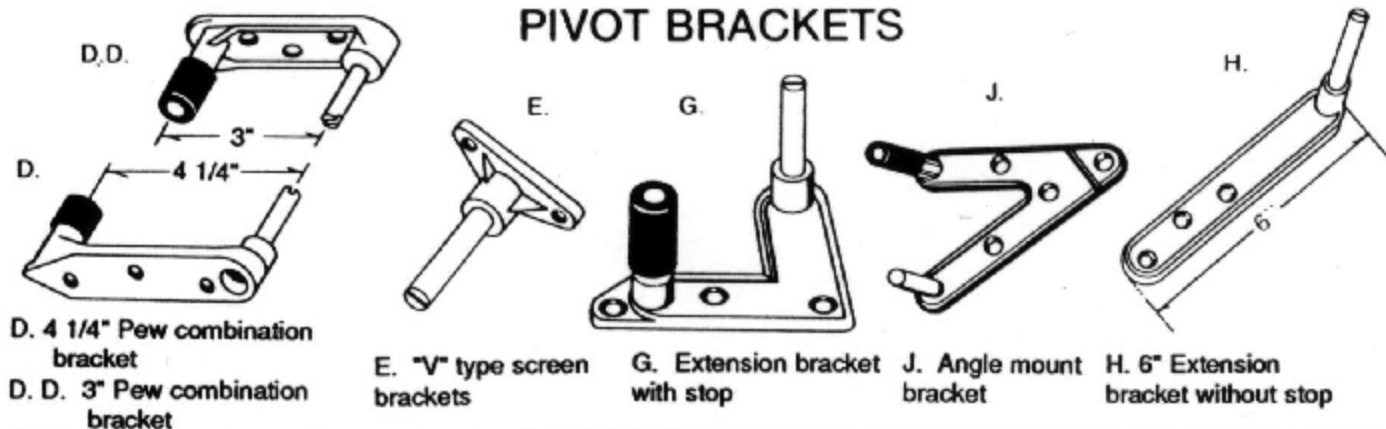
P. Kneeler arms: #3 with pivot 4-1/2" from floor
 M. Kneeler leg: standard 5" height or available 4: or 6: heights

P. Kneeler arms: #4 with pivot 3-1/2" from floor

P. Kneeler arms: #5 with pivot 2" from floor

N. Kneeler pads: specify width and length;; available in 3/8" or 5/8" base

PIVOT BRACKETS



D. 4 1/4" Pew combination bracket
 D. D. 3" Pew combination bracket

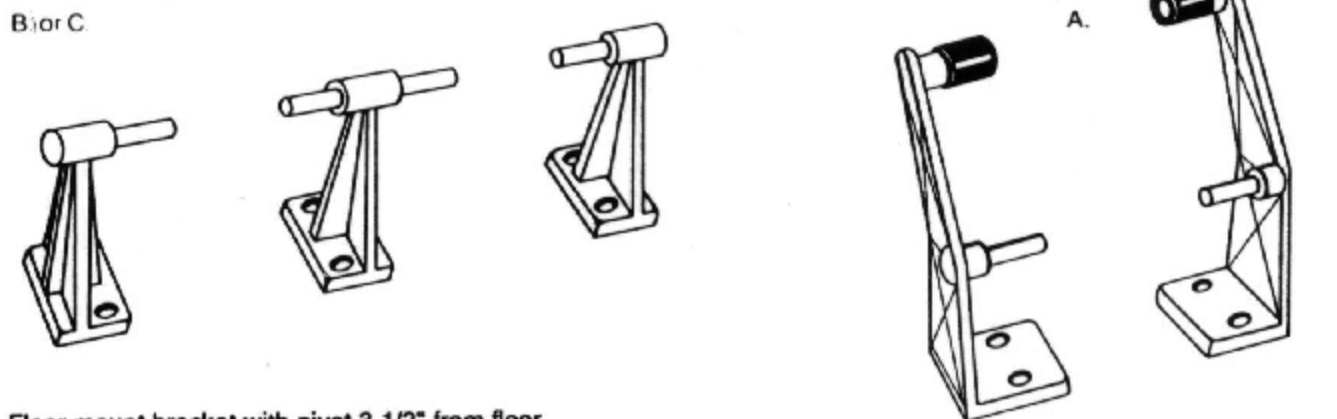
E. "V" type screen brackets

G. Extension bracket with stop

J. Angle mount bracket

H. 6" Extension bracket without stop

FLOOR MOUNTING BRACKETS



B. Floor mount bracket with pivot 3 1/2" from floor

C. Floor mount bracket with pivot 2" from floor

A. Combination floor mount brackets
 A.—#4 Bracket with pivot 3 1/2" from floor
 A.—#5 Bracket with pivot 2" from floor

MISCELLANEOUS PARTS



R. Rubber stop

S. Spacer washer

T. Mounting stud

F. Nylon bushing for pivot arm

L. Rubber foot for kneeler legs